

# Pedestrian stacker truck 1.2 ton

**BT staxio**

*W-series*

SWE120S



# Pedestrian stacker straddle version

Specification for stacker trucks					SWE120S
Identification	1.1	Manufacturer			BT
	1.2	Model			SWE120S
	1.3	Drive			Electric
	1.4	Operator type			Pedestrian
	1.5	Load capacity/rated load	Q	kg	1200
	1.6	Load centre	c	mm	600
	1.8	Load distance, centre of support arm wheel to face of forks	x	mm	569
	1.9	Wheelbase	y	mm	1203
	Weight	2.1	Service weight including battery		kg
2.2		Axle load, with load, drive/support arm wheel		kg	635/1580
2.3		Axle load, without load, drive/support arm wheel		kg	675/340
Wheels	3.1	Drive/support arm wheel			Friction/Vulkollan *)
	3.2	Wheel size, front		mm	Ø230x70
	3.3	Wheel size, rear		mm	Ø100x73
	3.5	Wheels, number front/rear (x=driven wheels)			1x/2
	3.7	Track width, rear	b <sub>r1</sub>	mm	1000
Dimensions	4.2	Height, mast lowered	h <sub>1</sub>	mm	1832 *)
	4.3	Free lift	h <sub>2</sub>	mm	1380 *)
	4.4	Lift	h <sub>3</sub>	mm	2655 *)
		Lift height	h <sub>23</sub>	mm	2655 *)
	4.5	Height, mast extended	h <sub>4</sub>	mm	3226 *)
	4.8	Stand height (optional platform)	h <sub>7</sub>	mm	150
	4.9	Height of tiller in drive position, min./max.	h <sub>14</sub>	mm	865/1235
	4.10	Height of support arm	h <sub>10</sub>	mm	100
	4.15	Height, fork lowered	h <sub>13</sub>	mm	50
	4.19	Overall length	l <sub>1</sub>	mm	1946
	4.20	Length to face of forks	l <sub>2</sub>	mm	784
	4.21	Overall width	b <sub>1</sub> /b <sub>2</sub>	mm	770/1100 *)
	4.22	Fork dimensions	s/e/l	mm	40/100/1150 *)
	4.24	Fork-carriage width	b <sub>3</sub>	mm	840
	4.25	Width over forks	b <sub>5</sub>	mm	252—800
	4.26	Distance between support arms	b <sub>4</sub>	mm	900 *)
	4.31	Ground clearance, with load, below mast	m <sub>1</sub>	mm	32
	4.32	Ground clearance, centre of wheelbase	m <sub>2</sub>	mm	40
4.33	Aisle width for pallets 1000x1200 crossways	A <sub>st</sub>	mm	2292	
4.34	Aisle width for pallets 800x1200 lengthways	A <sub>st</sub>	mm	2300	
4.35	Turning radius	W <sub>a</sub>	mm	1353	
Performance data	5.1	Travel speed, with/without load		km/h	6/6
	5.2	Lift speed, with/without load		m/s	0.11/0.21
	5.3	Lowering speed, with/without load		m/s	0.33/0.24
	5.8	Max. gradeability, with/without load		%	8/10 <sup>1)</sup>
	5.10	Service brake			Electromagnetic
Electric motor	6.1	Drive motor rating S2 60 min		kW	1.0
	6.2	Lift motor rating at S3 15%		kW	2.2 <sup>2)</sup>
	6.4	Battery voltage/nominal capacity K <sub>s</sub>		V/Ah	24/225 *)
	6.5	Battery weight		kg	219 *)
Others	8.1	Type of drive control			BT Powerdrive

<sup>1)</sup> Measured according to company standard

<sup>2)</sup> S3 6%

\*) Further alternatives are available and will produce other values.

Data is based on standard configurations: Medium battery compartment,  
h<sub>23</sub> = 2655 mm Duplex HiLo mast.

Truck performance and dimensions are nominal and subject to tolerances.  
BT Products AB products and specifications are subject to change without notice.

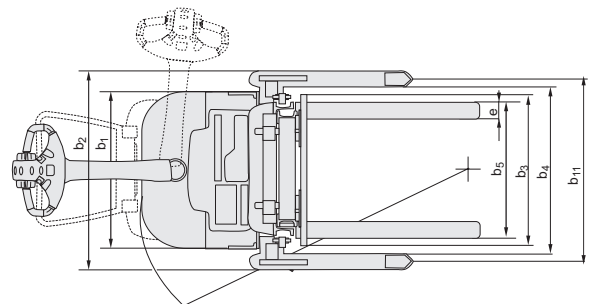
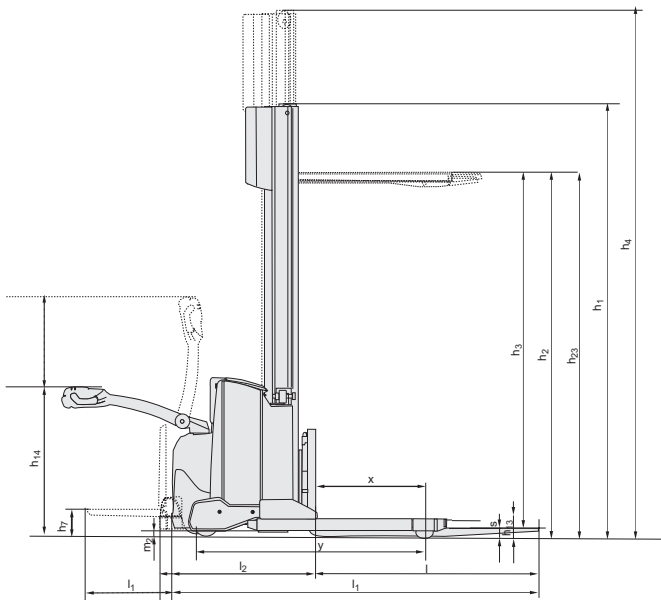
# Battery dependent dimensions

# BT staxio

Dimensions		Battery Compartment		SWE120S	
				Medium	Large
1.9	Wheelbase	y	mm	1203	1253
4.19	Overall length	l <sub>1</sub>	mm	1946	1996
	without platform			2031/2421	2081/2471
4.20	Length to face of forks	l <sub>2</sub>	mm	784	834
	without platform			869/1259	919/1309
4.33	Aisle width for pallets 1000x1200 crossways	A <sub>st</sub>	mm	2292	2343
	without platform			2377/2777	2427/2827
4.34	Aisle width for pallets 800x1200 lengthways	A <sub>st</sub>	mm	2300	2350
	without platform			2386/2785	2435/2835
4.35	Turning radius	W <sub>a</sub>	mm	1353	1403
	without platform			1438/1838	1488/1888
6.4	Battery voltage, nominal capacity K <sub>5</sub>		V/Ah	24/225	24/300
6.5	Battery weight, min.—max.		kg	189—250	230—280

## Mast dimensions

SWE120S		Simplex	Duplex Tele				Dupl. Tele Panor. View				Duplex HiLo				Triplex HiLo				
h <sub>23</sub>	Lift height (h <sub>13</sub> +h <sub>3</sub> )	mm	1355	1655	2655	2855	3255	3655	4105	2655	2855	3255	3655	4105	3255	3655	4105	4455	4755
h <sub>3</sub>	Lift	mm	1305	1605	2605	2805	3205	3605	4005	2605	2805	3205	3605	4005	3205	3605	4005	4405	4705
h <sub>1</sub>	Height, mast lowered	mm	1822	2122	1837	1937	2137	2337	2562	1832	1932	2132	2332	2557	1692	1826	1976	2092	2192
h <sub>2</sub>	Free lift, ground to top of forks	mm	1355	1655	126	126	126	126	126	126	126	126	126	126	1380	1480	1680	1880	2104
h <sub>4</sub>	Height, mast extended	mm	1901	2201	3205	3405	3805	4205	4655	3205	3405	3805	4205	4655	3226	3426	3826	4226	4676



---

## Truck features:

- BT Powerdrive System
- Fingertip controls
- Electronic braking system
- Electronic speed control
- Operator safety
- Storage compartments
- Automatic switch-off
- Click-2-creep
- Programmable performance
- Easy access for maintenance
- Built in charger (option)
- Sensilift (option)
- Flip-up operator platform (option)
- Toyota I\_site: truck fleet management system (option)
- Hydraulic oil for low temperatures (option)

